

AMERICAN STYLE 120 FACEPLATE

DESCRIPTION

The faceplates from barpa are especially design to RJ45 Keystone Jack applications and are compatible with all barpa UTP and STP connectors.

It is easy-to-install design and suitable for data and voice application.



ROHS

STANDARDS

• Directive 2011/65/UE (RoHS).

TECHNICAL CHARACTERISTICS

Dimensions (mm)	114x69
Color	White (RAL 9003)
Material	High Quality PC-ABS
Number of ports	1 and 2
Type	Flat
Mount	Vertical Flush Mount

ENVIRONMENTAL CONDITIONS

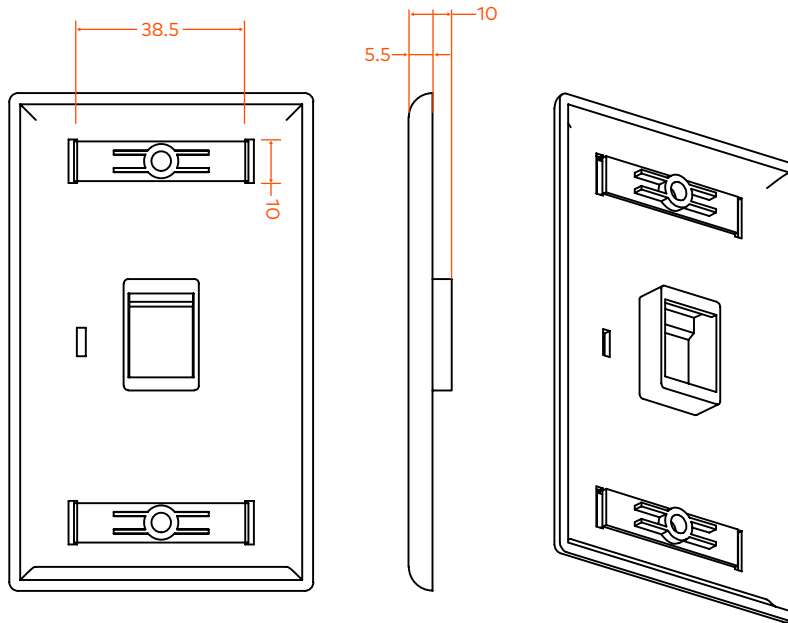
Operating Temperature (°C)	0 to 50
Storage Temperature (°C)	-10 to 60

LOGISTIC INFORMATION

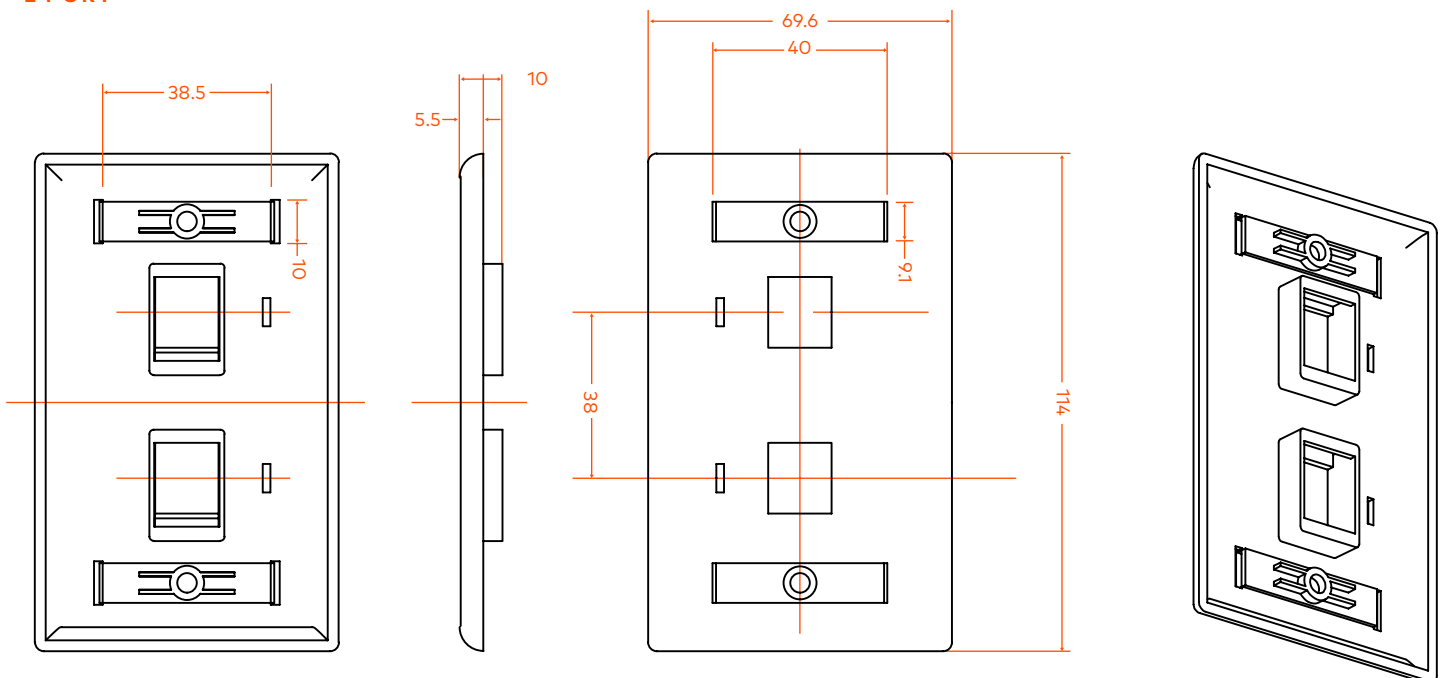
Code	Number of Ports	EAN	Polybag			Inner Box			Outer Box		
			Quant. (un)	Weight (kg)	Dimensions (mm)	Quant. (un)	Weight (kg)	Dimensions (mm)	Quant. (un)	Weight (kg)	Dimensions (mm)
82250210001	1	5608445033505	1	0,03	14,0x7,0x1,0	10	0,45	230,0 x 90,0 x 90,0	160	7,70	380 x 240 x 365
82250210002	2	5608445033512	1	0,03	14,0x7,0x1,0	10	0,45	230,0 x 90,0 x 90,0	160	7,70	380 x 240 x 365

TECHNICAL DRAWING (mm)

1 PORT



2 PORT



PACKAGING

This images are merely illustratives. We want you to see the importance we attach to the packaging.
We always work with products and materials that are easy to use.

