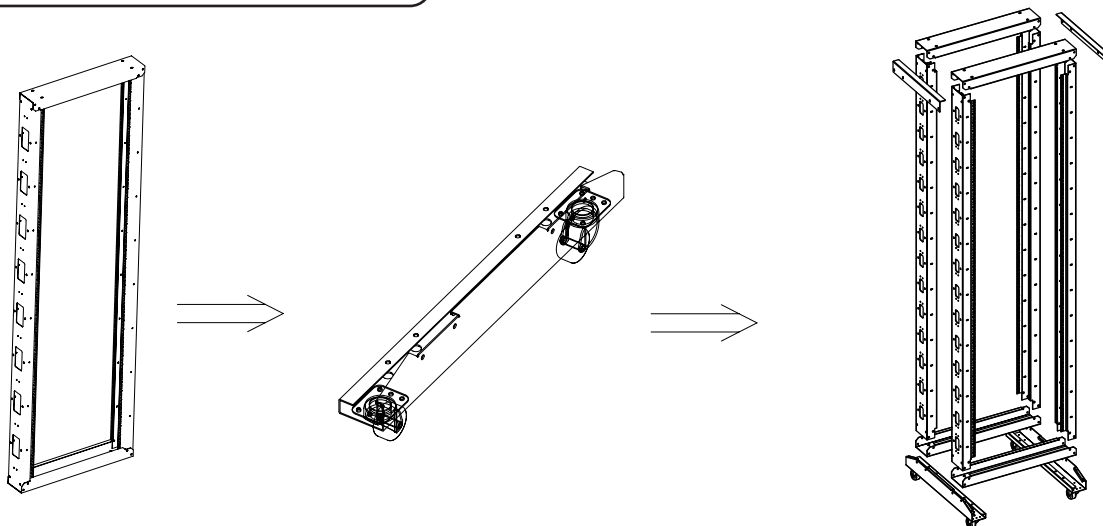





SERIES PYXIS

Safety warning - Do not climb on, rock, shake your rack. Only someone with good mechanical skill and who has experience should install this rack. Never exceed the maximum load capacity. If you didn't understand this instructions manual please contact us by info@barpa.eu



PART LIST:

No.	Name	Schematic	Amount
(A)	Support beam		2
(B)	Framework column		4
(C)	The framework of beams		4
(D)	2" Heavy-duty castors		4
(E)	M6*12 screw		48
(F)	M6 Flange nut		48
(G)	5.5*10 Self-tapping screw slot Cross		16
(H)	Side beam		2